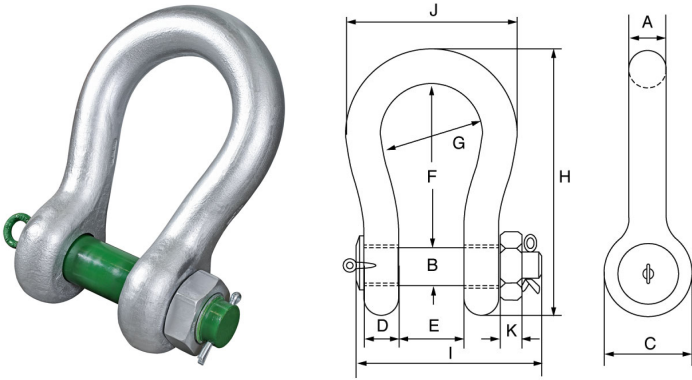




Green Pin® Heavy Duty Bow Shackle with Safety Nut and Bolt Pin – GPHDB



- Grade 8 alloy steel, quenched and tempered.
- 120t hot dipped galvanised finish.
- 150t and above are silver painted body and green painted pin.
- Conforms to ASME B30.26.
- Minimum breaking load is 5 times the W.L.L.
- Temperature range up to 300t: -20°C up to +200°C, above 300t: 0°C up to +200°C.
- Marked with CE, W.L.L, material grade, manufacturers ID, size and traceability code.
- Full CAD support available upon request.
- Certification available **2.1** **3.1** **DoC** **LROS** **MPI** **US** **DNV GL 2.7-1**

LROS* For shackles \geq W.L.L. 150t

P-6036

Product Code	W.L.L	A	B	C	D	E	F	G	H	I	J	K	Weight	Technical
	t	mm	mm	mm	mm	mm	mm	mm	mm	mm	mm	mm	kgs	Specifications
GPHDB120	120	95	95	208	95	147	400	238	647	453	416	50	110	Download
GPHDB150	150	105	108	238	105	169	410	275	688	496	485	50	160	Download
GPHDB200	200	120	130	279	120	179	513	290	838	564	530	70	235	Download
GPHDB250	250	130	140	299	130	205	554	305	904	614	565	70	285	Download
GPHDB300	300	140	150	325	140	205	618	305	996	644	585	80	340	Download
GPHDB400	400	170	175	376	164	231	668	325	1114	690	665	70	560	Download
GPHDB500	500	180	185	398	164	256	718	350	1190	720	710	70	685	Download
GPHDB600	600	200	205	444	189	282	718	375	1243	810	775	70	880	Download
GPHDB700	700	210	215	454	204	308	718	400	1263	870	820	70	980	Download
GPHDB800	800	210	220	464	204	308	718	400	1270	870	820	70	1,100	Download
GPHDB900	900	220	230	485	215	328	718	420	1296	920	860	70	1,280	Download
GPHDB1000	1,000	240	240	515	215	349	718	420	1336	940	900	70	1,460	Download
GPHDB1250	1,250	260	270	585	230	369	768	450	1456	1025	970	70	1,990	Download
GPHDB1500	1,500	280	290	625	230	369	818	450	1556	1025	1010	70	2,400	Download